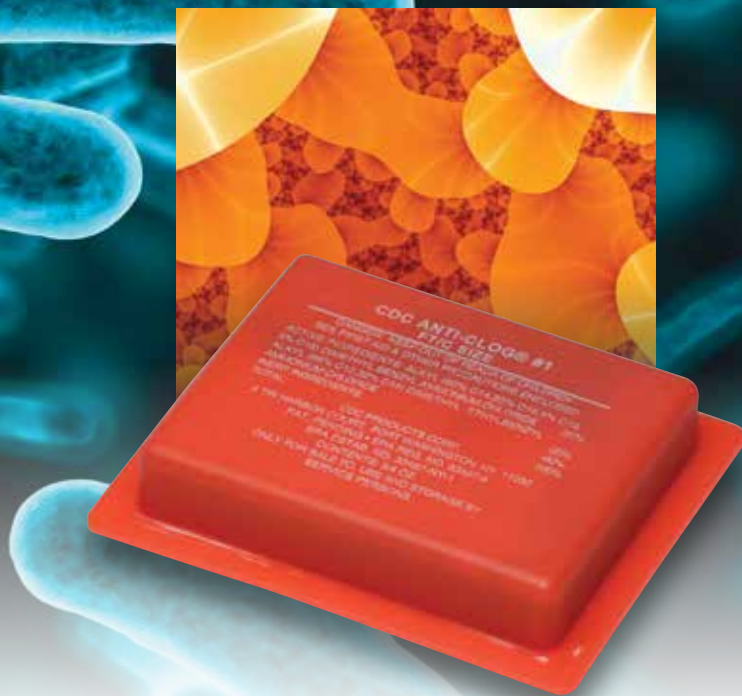


Your refrigeration may
be growing something
that's not too cool!



CDC Anti-Clog #1 can help.

Control of Legionnaire's Disease Bacteria in preliminary laboratory tests.





Used regularly, **CDC Anti-Clog #1** is the ideal antidote for unwanted slime and bacteria growth

Where there's cooling equipment, there's often trouble. Why? Air conditioner and refrigeration drain pans are breeding grounds for slime, sludge and toxic bacteria, all of which may cause major health and maintenance problems.

What if you could eradicate these problems month after month – easily and efficiently? You can...with **CDC Anti-Clog #1**, a drain maintenance product that's so effective, it's registered by the Environmental Protection Agency and NSF International.

As powerful as it is compact, **CDC Anti-Clog #1** eliminates:

- Clogging and drain pan overflows caused by slime build-up
- Musty odors caused by bacteria-slime accumulation

Where **CDC Anti-Clog #1** Works Best



Display Cases



Beverage & Grocery Reach-In Coolers



Refrigerated Vending Machines



Cool and Cold Storage Walk-Ins



Ceiling Units



Fan Coil Units



Roof-Top Units



- Safe, self-contained, tamper-proof packaging
- Mix and match units fit any size equipment
- EPA and NSF International registered
- Created over 30 years ago by CDC, a leader in the field
- Each unit stays effective for a full three months
- Unique design will not clog drain pan

Why You Need **CDC Anti-Clog #1**



Have you seen your drain pan lately? It may be filled with slime, gunk and disease-causing bacteria. Where does all this stuff come from? Why is the drain pan a catch-all for so many dangerous things? Here's what happens:



1. Condensation: Cooling equipment creates cold air by passing warm air over cooling coils. This process causes condensate, or water droplets, to form and drip off the cooling coils—much like the droplets that form on the glass of an icy drink on a hot day.



2. Drainage: In large, commercial cooling equipment, it's unlawful for condensates to drip out onto passersby and other objects. Therefore, a drain pan is used inside the unit to collect the moisture. Eventually, the condensate flows into a drain hole—and this is where potential trouble begins.

3. Bacteria: Bacteria, naturally present in water, produce “slime” as a waste product. This slime can clog the drain port, causing the drain pan to overflow and possibly result in flood damage. It also becomes an ideal breeding ground for harmful bacteria.



4. Petri-dish Effect: Warm, standing water in the drain pan can work like a giant Petri dish, cultivating bacteria and other potentially dangerous microorganisms; the equipment's fan then blows these microbes back into the building, degrading air quality and causing potential health problems.

Who Should Use **CDC Anti-Clog #1**?

If you use air conditioning or refrigeration units, you need **CDC Anti-Clog #1**. Our clients include:

- Apartment buildings
- Commercial/industrial buildings
- Cruise ships
- Health clubs
- Hospitals
- Hotels and motels
- Nursing homes
- Office buildings
- Schools and universities
- Supermarkets

CDC Anti-Clog #1: Superior Chemical Formulation

CDC Anti-Clog #1 controls the growth of slime-forming bacteria, leading to a safer environment. Our new and improved chemical formulation is:

- Registered by the EPA & NSF International.
- 40% high-efficiency biocide (by weight)
- pH neutralized to help prevent pan corrosion
- Effective in all climates for three months, 24 hours a day
- Initial placement shocks water, then biocide is time-released

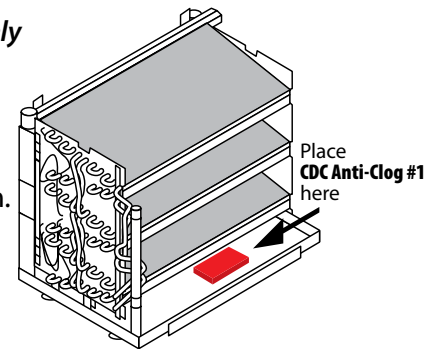
CDC Anti-Clog #1: Safe, Functional Design

CDC Anti-Clog #1 is safe, stable and easy to handle. You never have to touch dangerous chemicals and—unlike other products—it doesn't leave a slimy, waxy residue on fingers.

- Sealed, tamper-proof housing prevents skin contact with biocide
- Filter pad controls biocide for consistent, perfectly timed chemical release over three months
- Weighted, so pieces stay in position, never float away
- Does not clog drain ports
- Low profile—fits most cooling equipment
- Can be placed vertically or horizontally
- *Has been proven to control the growth of, or inactivate, Legionnaire's Disease Bacteria in experimental laboratory conditions for (2) months when approximately 15 gallons of water flow over CDC Anti-Clog #1 Units per day.*

CDC Anti-Clog #1 Is a Snap to Install

Simply place **CDC Anti-Clog #1** under cooling coils in the middle of the pan length. **That's all you do!** The product begins working immediately upon contact with water.



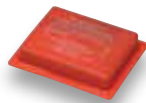
CDC Anti-Clog #1 Comes In Four Convenient Sizes

CDC Anti-Clog #1 comes in four easy-to-use sizes that can be mixed and matched for optimum effectiveness. Just place one or more in the drain pan, and each application starts working immediately and continuously – 24 hours a day for three months. *Have equipment over 45 tons?* Simply combine the units for the protection you need. For example: If you have a 60-ton unit, use the Brick and the AT/C. For a 90-ton unit, use two Bricks. **It's that easy!** Sizes are as follows:



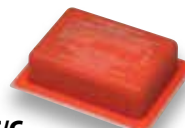
Slim Strip
6 1/2" L x 1 1/2" W x 5/16" H

- For equipment up to 5 tons
- Fits easily into condensate pans with low profiles



FT/C
2 3/4" L x 2 1/4" W x 1/2" H

- For equipment up to 5 tons
- Our most popular size, perfect for higher-profile condensate pans



AT/C
3 5/8" L x 2 3/4" W x 7/8" H

- For equipment up to 15 tons



The Brick
8 1/8" L x 2 13/16" W x 1 1/4" H

- For equipment up to 45 tons

For cost-saving preventative maintenance, you can't beat CDC Anti-Clog #1. It's easy, inexpensive, efficient and EPA registered. For more information or to place an order, visit our website today at www.anti-clog1.com, or call us at 800-636-7363.

CDC Anti-Clog #1

Aceto Corporation

4 Tri Harbor Court, Port Washington, NY 11050

Phone: 800.636.7363 or 516.437.3570 • Fax: 516.627.6093 • www.anti-clog1.com

